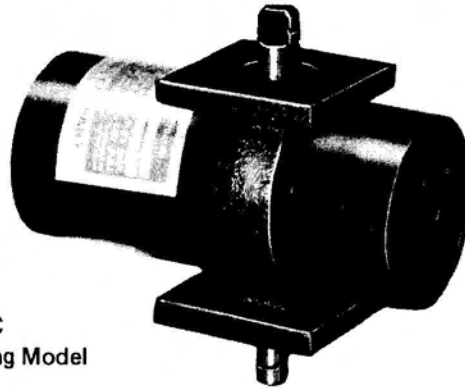


QUALITY CONTROLS, INC.

1-603-286-3321

ROTARY PNEUMATIC/HYDRAULIC ACTUATOR Models R35C* and R35CFS*



R35C
Double Acting Model

FEATURES AND SPECIFICATIONS

DOUBLE SCOTCH YOKE DRIVE ACTION

Double scotch yoke provides for single or double piston drive with maximum starting torque transmission to actuator drive shaft.

RETAINER KEY FASTENER

The end cap is fastened to the actuator body by a retainer key. A matched groove around the end cap and the actuator body accepts the retainer key which provides full 360° contact for positive lock. The same retainer key is used to replace the end cap with a spring capsule for conversion to Fail Safe actuation without removing the actuator from the line.

FAIL SAFE SPRING CAPSULE

The spring is factory assembled into a locked capsule for safe, simple installation and removal. Special O-ring seal prevents internal corrosion due to moisture and other contaminants. When ordered with a solenoid valve, actuator will be piped with a spring loaded check valve and breather cap for system exhaust.

DOUBLE MOUNTING PAD

Square top and bottom pads are identical. Bottom pad provides for multi-position, rugged attachment to mounting bracket. Top pad provides versatile mounting of auxiliary items such as limit switches, positioners, etc.

STEM LOCATION IS CENTERBORE OF PISTON

Provides for unlimited mounting positions. Actuator can be installed parallel to pipe line or at 90° position.

MANUAL OVERRIDE

Actuator drive shaft extends from top of actuator providing for emergency manual operation.

WEATHER GUARD

Standard on fail safe models for protection against rain and snow entering the fail safe capsule.

OPTIONAL EQUIPMENT

SOLENOID VALVES - Mounted and Piped

Specify enclosure - NEMA I, III, IV, VII, etc.

AIR PILOT VALVES - Mounted and Piped

Air control in lieu of solenoids.

LIMIT SWITCHES - Mounted

For open/close position indication. Specify type - NEMA I, III, IV, VII, etc.

POSITIONER - Mounted and Piped

3 - 15 psi instrument air standard. If other signal range is required, please specify.

ADJUSTABLE TRAVEL STOPS

Mechanically limit travel of actuator.

SPECIAL COATING

For corrosion resistance. Specify requirements.

AIR PREPARATION ACCESSORIES

Furnished loose, but can be mounted and piped if specified.

AIR REGULATOR

Adjusts air pressure leading to actuator.

AIR FILTER

Assures clean air for actuator.

AIR LUBRICATOR

Provides oil mist for internal lubrication of actuator.

AIR SPEED CONTROL

Controls air to actuator to adjust speed of actuation.

HANDLE FOR MANUAL OPERATION

Available for double-acting configuration. Do not operate manually with air pressure on actuator. (Lever type handles *not recommended* for operating spring return actuators.)

HIGH TEMPERATURE PREPARATION

Special seals, heat shields, extended brackets, etc.

SYSTEM MODULES

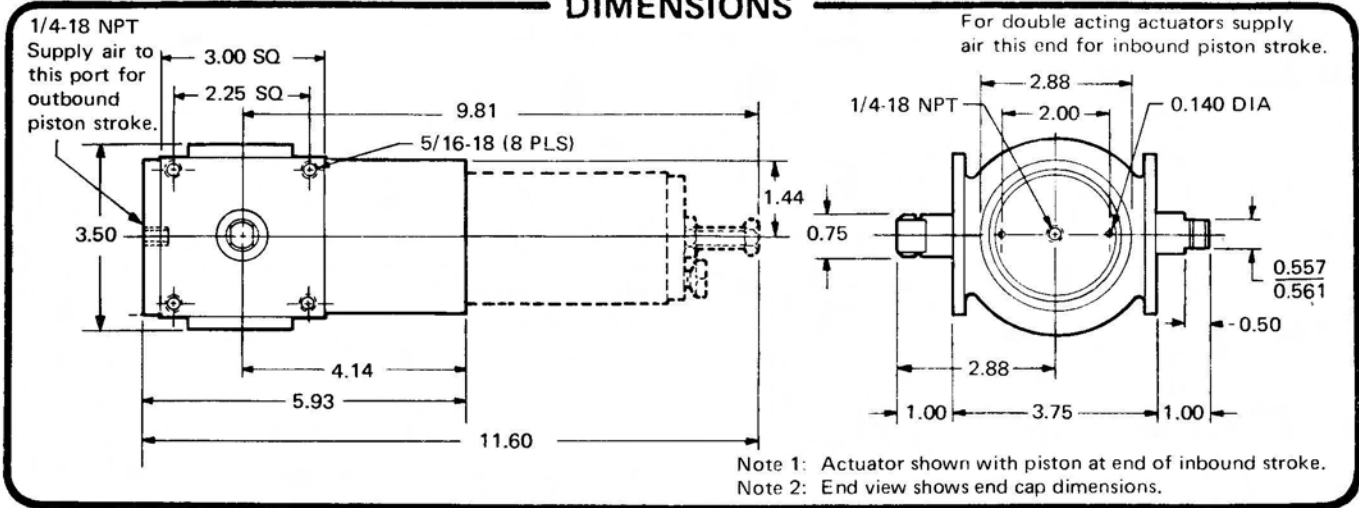
Can be quoted upon receipt of complete specifications.

*Patented and patents applied for.

ROTARY PNEUMATIC/HYDRAULIC ACTUATOR

MODELS R35C and R35CFS

DIMENSIONS



TECHNICAL DATA

BORE	2.40 In.	CYLINDER VOLUME	
		Double Acting	
STROKE	1.53 In.	inner	15 Cu. In.
		outer	7 Cu. In.
NO. OF PISTONS	1	Fail Safe	15 Cu. In.
		OUTPUT DRIVE TRAVEL	90°
MAXIMUM WORKING PRESSURE		WEIGHT	
Pneumatic	125 psi	Double Acting	7½ Lbs.
Hydraulic	125 psi	Fail Safe	10 Lbs.

DOUBLE ACTING ACTUATOR (R35C) OUTPUT TORQUES

TORQUE lb-in.	OPERATING PRESSURE*								
	40 PSI	50 PSI	60 PSI	70 PSI	80 PSI	90 PSI	100 PSI	110 PSI	120 PSI
BREAK	177	236	295	351	407	459	510	566	621
RUNNING	95	120	145	173	200	228	255	282	319

*Available air pressure must be specified

FAIL SAFE ACTUATOR (R35CFS) OUTPUT TORQUES

TORQUE lb-in.	OPERATING PRESSURE*				
	40 PSI	60 PSI	70 PSI	80 PSI	100 PSI
BREAK-AIR	100	155	175	215	275
FINISH-AIR	55	90	105	120	155
BREAK-SPRING	100	165	195	250	325
FINISH-SPRING	45	80	95	115	160

*Available air pressure must be specified

RECOMMENDED SPARE PARTS: One complete set of O-rings, and one set of retaining keys.



Quality Controls, Inc.

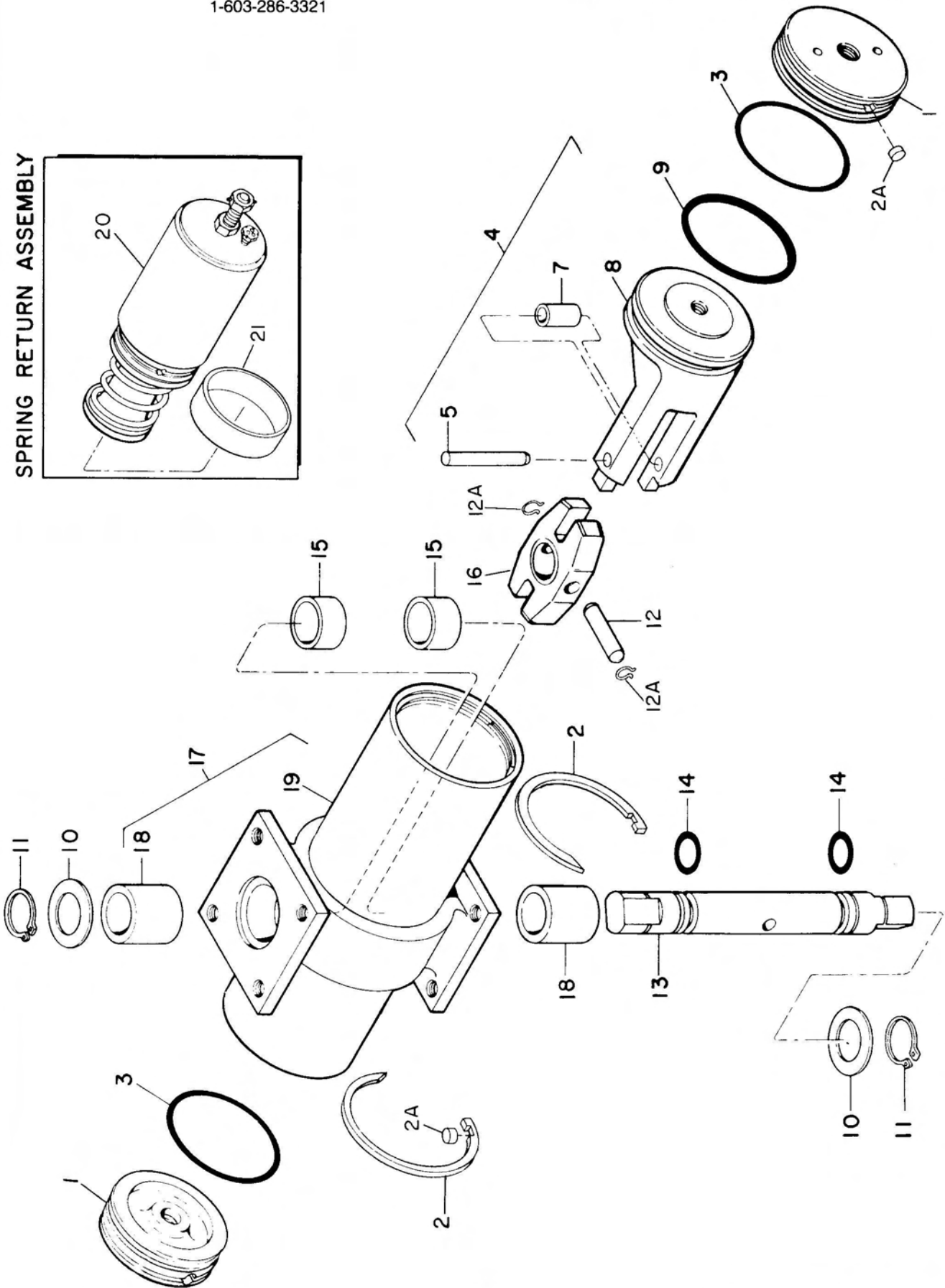
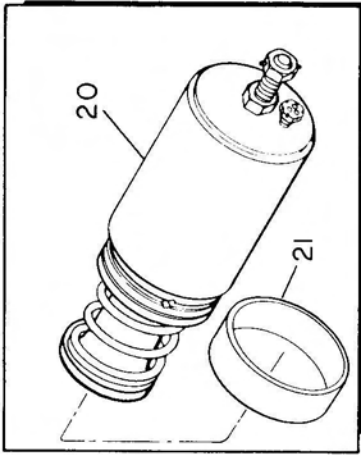
1-603-286-3321

QUALITY CONTROLS, INC.

PNEUMATIC ACTUATOR MODEL R35C and R35CFS

1-603-286-3321

SPRING RETURN ASSEMBLY



PARTS LIST**MODEL R35C and R35CFS**

INDEX NO.	PART NUMBER	DESCRIPTION	QTY	U/O CODE
REF. R35C		ACTUATOR, Pneumatic, rotary	REF.	A
REF. R35CFS		ACTUATOR, Pneumatic, rotary (Fail Safe).	REF.	B
1	419-1011	. CAP, End (see note 1)	2	
2	419-2903	. KEY, Retaining (AP)	2	
2A	400-2901	. SLUG, Key retainer	2	
3	952-0035-410	. O-RING, End cap (see note 2)	2	
4	4190-3201	. PISTON AND ROLLER ASSEMBLY	1	
5	419-2502	. . PIN, Straight, headless	1	
7	419-2203	. . BEARING, Sleeve	1	
8	419-3202	. . PISTON	1	
9	952-0329-1A0	. O-RING, Piston (see note 2)	1	
10	419-2207	. WASHER, Thrust	2	
11	959-2505-000	. RING, Retaining (AP)	2	
12	419-2506	. PIN, Straight, headless	1	
12A	959-2204-110	. RING, Retaining (AP)	2	
13	419-2101	. SHAFT, Output	1	
14	952-0113-430	. O-RING, Output shaft	2	
15	419-2202	. BEARING, Sleeve	2	
16	419-4101	. YOKE	1	
17	4191-3302	. CYLINDER BODY & STEM BEARING ASSEMBLY	1	
18	419-2201	. . BEARING, Sleeve	2	
19	419-3314	. . CYLINDER, Body	1	
20	4190-7501	. SPRING RETURN ASSEMBLY (40 psi) (See Warning Note)	1	B
20	4190-7502	. SPRING RETURN ASSEMBLY (60 psi) (See Warning Note)	1	B
20	4190-7509	. SPRING RETURN ASSEMBLY (70 psi) (See Warning Note)	1	B
20	4190-7503	. SPRING RETURN ASSEMBLY (80 psi) (See Warning Note)	1	B
20	4190-7504	. SPRING RETURN ASSEMBLY (100 psi) (See Warning Note)	1	B
21	400-1405-001	. WEATHER GUARD	1	B

WARNING

The spring is factory assembled into a locked capsule. This provides for simple and safe removal of the spring return assembly during maintenance. Do not attempt to disassemble the spring return assembly. This unit is spring loaded under high spring pressure.

Note 1. Only one used on Model R35CFS

Note 2. Optional O-rings
 952-0035-430 - VITON O-RING, End cap
 952-0329-430 - VITON O-RING, Piston

(AP) - Attaching Parts

U/O - "Used on" code



Quality Controls, Inc.

1-603-286-3321

PRINTED IN USA