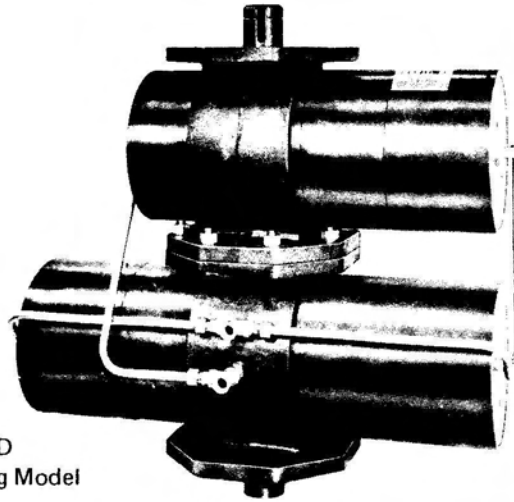


# QUALITY CONTROLS, INC.

FAX 1-603-286-7648 1-603-286-3321  
 ROTARY PNEUMATIC/HYDRAULIC ACTUATOR  
 Models R6200D\* and R6200DFS\*



R6200D  
 Double Acting Model

## FEATURES AND SPECIFICATIONS

### DOUBLE SCOTCH YOKE DRIVE ACTION

Double scotch yoke provides for single or double piston drive with maximum starting torque transmission to actuator drive shaft.

### RETAINER KEY FASTENER

The end cap is fastened to the actuator body by a retainer key. A matched groove around the end cap and the actuator body accepts the retainer key which provides full 360° contact for positive lock. The same retainer key is used to replace the end cap with a spring capsule for conversion to Fail Safe actuation without removing the actuator from the line.

### FAIL SAFE SPRING CAPSULE

The spring is factory assembled into a locked capsule for safe, simple installation and removal. Special O-ring seal prevents internal corrosion due to moisture and other contaminants. When ordered with a solenoid valve, actuator will be piped with a spring loaded check valve and breather cap for system exhaust.

### DOUBLE MOUNTING PAD

Top and bottom pads are identical. Bottom pad provides for multi-position, rugged attachment to mounting bracket. Top pad provides versatile mounting of auxiliary items such as limit switches, positioners, etc.

### STEM LOCATION IS CENTERBORE OF PISTON

Provides for unlimited mounting positions. Actuator can be installed parallel to pipe line or at 90° position.

### MANUAL OVERRIDE

Actuator drive shaft extends from top of actuator providing for emergency manual operation.

### WEATHER GUARD

Standard on fail safe models for protection against rain and snow entering the fail safe capsule.

## OPTIONAL EQUIPMENT

### SOLENOID VALVES - Mounted and Piped

Specify enclosure - NEMA I, III, IV, VII, etc.

### AIR PILOT VALVES - Mounted and Piped

Air control in lieu of solenoids.

### LIMIT SWITCHES - Mounted

For open/close position indication. Specify type - NEMA I, III, IV, VII, etc.

### POSITIONER - Mounted and Piped

3 - 15 psi instrument air standard. If other signal range is required, please specify.

### ADJUSTABLE TRAVEL STOPS

Mechanically limit travel of actuator.

### SPECIAL COATING

For corrosion resistance. Specify requirements.

### AIR PREPARATION ACCESSORIES

Furnished loose, but can be mounted and piped if specified.

#### AIR REGULATOR

Adjusts air pressure leading to actuator.

#### AIR FILTER

Assures clean air for actuator.

#### AIR LUBRICATOR

Provides oil mist for internal lubrication of actuator.

#### AIR SPEED CONTROL

Controls air to actuator to adjust speed of actuation.

### DECLUTCHABLE GEARBOX FOR MANUAL OPERATION

### HIGH TEMPERATURE PREPARATION

Special seals, heat shields, extended brackets, etc.

### SYSTEM MODULES

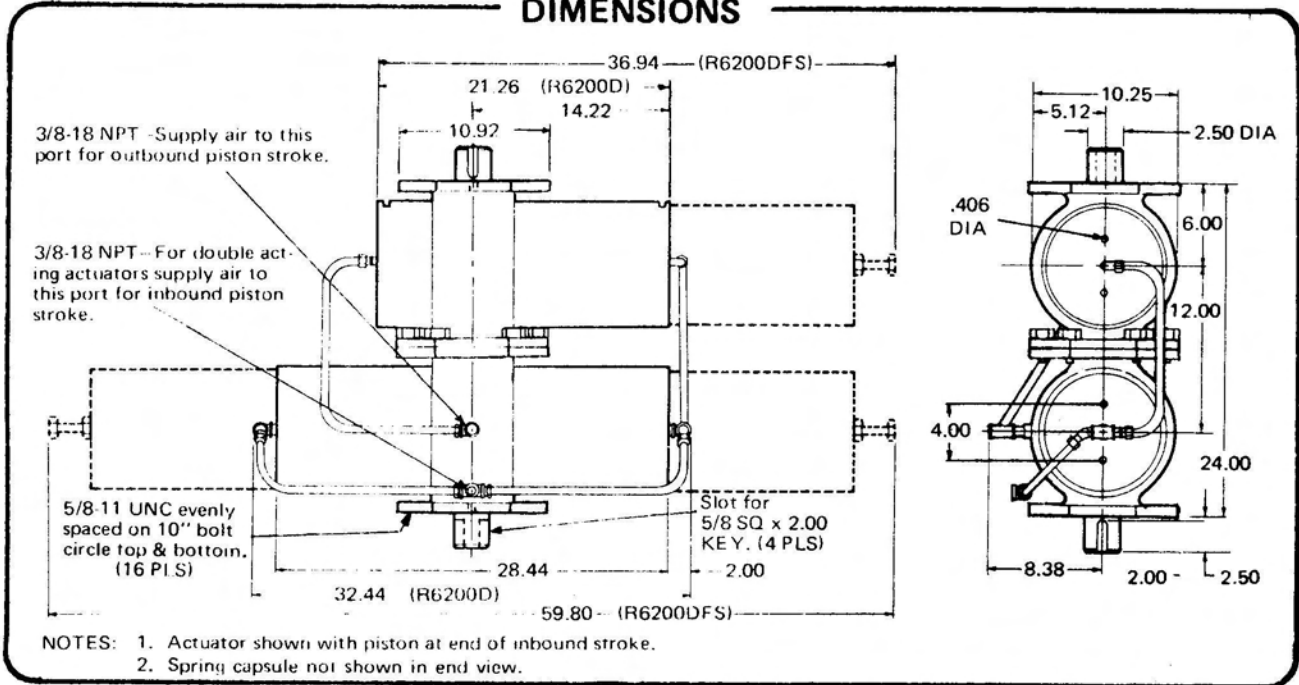
Can be quoted upon receipt of complete specifications.



# ROTARY PNEUMATIC/HYDRAULIC ACTUATOR

MODELS R6200D and R6200DFS

## DIMENSIONS



## TECHNICAL DATA

BORE .....	8.56 In.	CYLINDER VOLUME	
		Double Acting	
STROKE .....	5.81 In.	inner .....	1865 Cu. In.
		outer .....	990 Cu. In.
NO. OF PISTONS .....	3	Fail Safe .....	1865 Cu. In.
		OUTPUT DRIVE TRAVEL .....	90°
MAXIMUM WORKING PRESSURE		WEIGHT	
Pneumatic .....	125 psi	Double Acting .....	565 Lbs.
Hydraulic .....	125 psi	Fail Safe .....	775 Lbs.

### DOUBLE ACTING ACTUATOR (R6200D) OUTPUT TORQUES

TORQUE lb-in.	OPERATING PRESSURE*								
	40 PSI	50 PSI	60 PSI	70 PSI	80 PSI	90 PSI	100 PSI	110 PSI	120 PSI
BREAK	31900	40600	49300	58000	66700	75500	84400	93100	100000
RUNNING	15700	19800	24000	28200	32500	36600	40700	44800	49000

### FAIL SAFE ACTUATOR (R6200DFS) OUTPUT TORQUES

TORQUE lb-in.	OPERATING PRESSURE*				
	40 PSI	60 PSI	70 PSI	80 PSI	100 PSI
BREAK-AIR	17200	27100	30660	38200	48200
FINISH-AIR	8900	14200	16830	19800	25100
BREAK-SPRING	20500	31800	33550	42500	53400
FINISH-SPRING	9900	15700	17760	20400	26100

RECOMMENDED SPARE PARTS: One complete set of O-rings, and one set of retaining keys.



QUALITY CONTROLS, INC.

FAX 1-603-286-7648

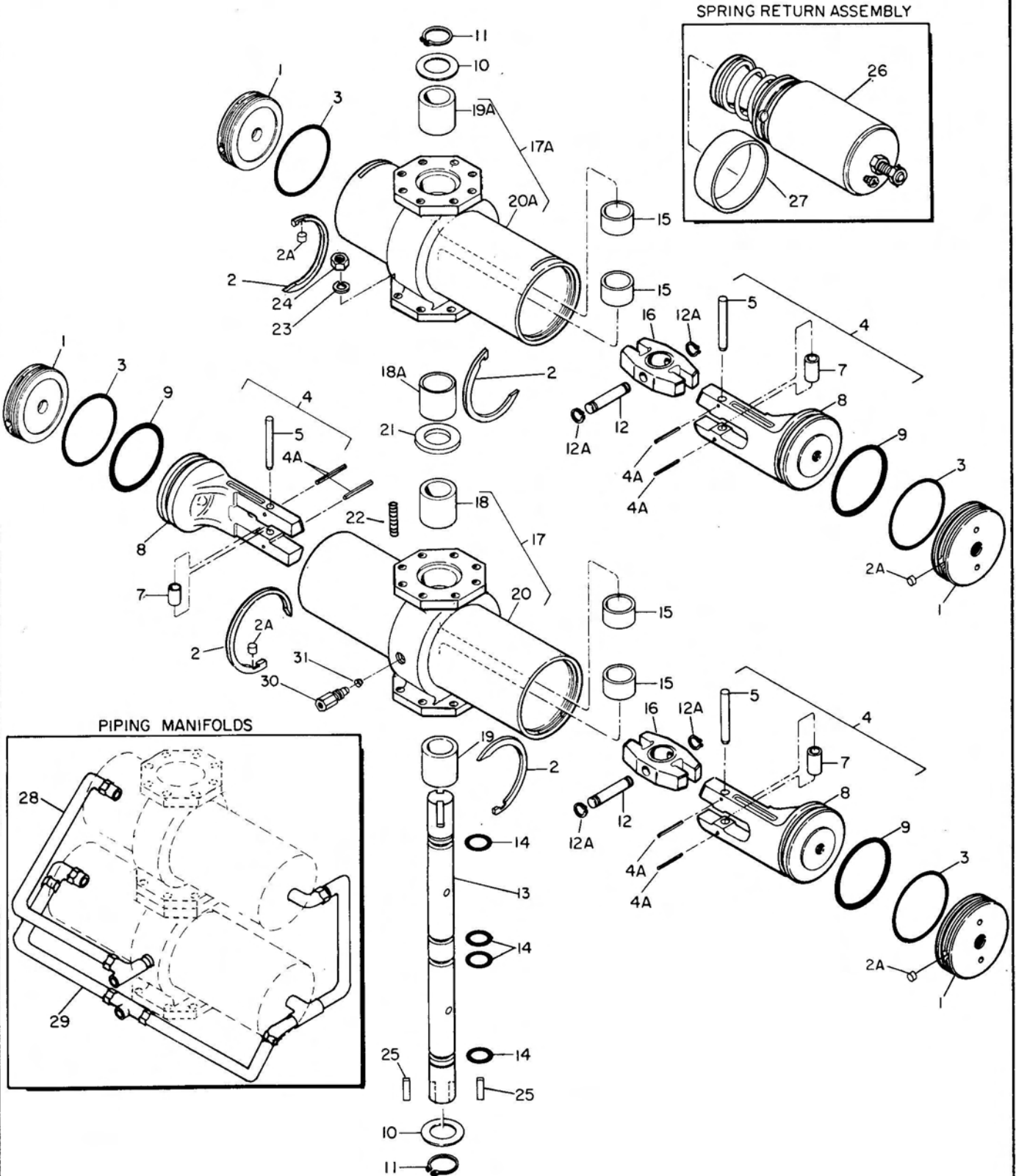
1-603-286-3321

# QUALITY CONTROLS, INC.

# QUALITY CONTROLS, INC. PNEUMATIC ACTUATOR MODEL R6200D and R6200DFS

FAX 1-603-286-7648

1-603-286-3321



# PARTS LIST

## MODEL R6200D and R6200DFS

INDEX NO.	PART NUMBER	DESCRIPTION	QTY	U/O CODE
REF.	R6200D	ACTUATOR, Pneumatic, rotary . . . . .	REF.	A
REF.	R6200DFS	ACTUATOR, Pneumatic, rotary (Fail Safe). . . . .	REF.	B
1	460-1016	. CAP, End (see note 1) . . . . .	4	
2	460-2904	. KEY, Retaining (AP) . . . . .	4	
2A	400-2901	. SLUG, Key retainer . . . . .	4	
3	952-0172-410	. O-RING, End cap (see note 2) . . . . .	4	
4	4600-3201	. PISTON AND ROLLER ASSEMBLY . . . . .	3	
4A	943-2250-11P	. . PIN, Spring . . . . .	2	
5	460-2502	. . PIN, Straight, headless . . . . .	1	
7	460-2203	. . BEARING, Sleeve . . . . .	1	
8	460-3210	. . PISTON . . . . .	1	
9	952-0445-1A0	. O-RING, Piston (see note 2) . . . . .	3	
10	974-3101-000	. WASHER, Thrust . . . . .	2	
11	959-3001-000	. RING, Retaining (AP) . . . . .	2	
12	460-2503	. PIN, Straight, headless . . . . .	2	
12A	959-2601-000	. RING, Retaining (AP) . . . . .	4	
13	462-2101	. SHAFT, Output . . . . .	1	
14	952-0228-430	. O-RING, Output shaft . . . . .	4	
15	460-2202	. BEARING, Sleeve . . . . .	4	
16	460-4102	. YOKE . . . . .	2	
17	4622-3304	. CYLINDER BODY & STEM BEARING ASSEMBLY . . . . .	1	
18	462-2201	. . BEARING, Sleeve, Center . . . . .	1	
19	462-2202	. . BEARING, Sleeve, outside . . . . .	1	
20	460-3323	. . CYLINDER, Body . . . . .	1	
17A	4621-3302	. CYLINDER BODY & STEM BEARING ASSEMBLY . . . . .	1	
18A	462-2201	. . BEARING, Sleeve, center . . . . .	1	
19A	462-2202	. . BEARING, Sleeve, outside . . . . .	1	
20A	462-3305	. . CYLINDER, Body . . . . .	1	
21	462-2501	. LOCATOR, Ring . . . . .	1	
22	231-3304-03	. STUD (AP) . . . . .	8	
23	935-2504-11P	. LOCKWASHER (AP) . . . . .	8	
24	919-2502-02P	. HEX NUT (AP) . . . . .	8	
25	945-2501-110	. KEY . . . . .	2	
26	4600-7501	. SPRING RETURN ASSEMBLY (40 psi) (See Warning Note) . . . . .	3	B
26	4600-7502	. SPRING RETURN ASSEMBLY (60 psi) (See Warning Note) . . . . .	3	B
26	4600-7509	. SPRING RETURN ASSEMBLY (70 psi) (See Warning Note) . . . . .	3	B
26	4600-7503	. SPRING RETURN ASSEMBLY (80 psi) (See Warning Note) . . . . .	3	B
26	4600-7504	. SPRING RETURN ASSEMBLY (100 psi) (See Warning Note) . . . . .	3	B
27	400-1405-004	. WEATHER GUARD . . . . .	3	B
28	4623-6701	. PIPING MANIFOLD (center) . . . . .	1	
29	4623-6702	. PIPING MANIFOLD (end) . . . . .	1	A
30	971-2319-02P	. AIR FITTING . . . . .	1	
31	971-2312-000	. FLARE GASKET . . . . .	1	

**WARNING**

The spring is factory assembled into a locked capsule. This provides for simple and safe removal of the spring return assembly during maintenance. Do not attempt to disassemble the spring return assembly. This unit is spring loaded under high spring pressure.

Note 1. Only one used on Model R6200DFS

Note 2. Optional O-rings  
 952-0172-430 - VITON O-RING, End cap  
 952-0445-430 - VITON O-RING, Piston

## QUALITY CONTROLS, INC.

FAX 1-603-286-7648

1-603-286-3321

(AP) - Attaching Parts

U/O - "Used on" code