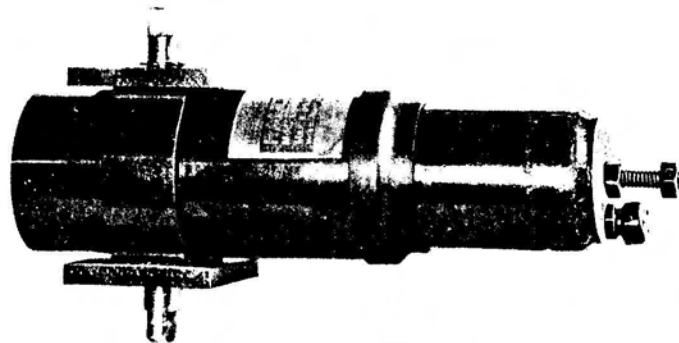




# QUALITY CONTROLS, INC.

1-603-286-3321

## ROTARY PNEUMATIC/HYDRAULIC ACTUATOR Models R16C\* and R16CFS\*



R16CFS  
Spring Return Model

### FEATURES AND SPECIFICATIONS

#### SCOTCH YOKE DRIVE ACTION

The scotch yoke provides maximum starting torque transmission to actuator drive shaft.

#### RETAINER KEY FASTENER

The end cap is fastened to the actuator body by a retainer key. A matched groove around the end cap and the actuator body accepts the retainer key which provides full 360° contact for positive lock. The same retainer key is used to replace the end cap with a spring capsule for conversion to Fail Safe actuation without removing the actuator from the line.

#### FAIL SAFE SPRING CAPSULE

The spring is factory assembled into a locked capsule for safe, simple installation and removal. Special O-ring seal prevents internal corrosion due to moisture and other contaminants. When ordered with a solenoid valve, actuator will be piped with a spring loaded check valve and breather cap for system exhaust.

#### DOUBLE MOUNTING PAD

Square top and bottom pads are identical. Bottom pad provides for multi-position, rugged attachment to mounting bracket. Top pad provides versatile mounting of auxiliary items such as limit switches, positioners, etc.

#### WEATHER GUARD

Standard on fail safe models for protection against rain and snow entering the fail safe capsule.

#### MANUAL OVERRIDE

Actuator drive shaft extends from top of actuator providing for emergency manual operation.

### OPTIONAL EQUIPMENT

#### SOLENOID VALVES—Mounted and Piped

Specify enclosure - NEMA I, III, IV, VII, etc.

#### AIR PILOT VALVES - Mounted and Piped

Air control in lieu of solenoids.

#### LIMIT SWITCHES - Mounted

For open/close position indication. Specify type - NEMA I, III, IV, VII, etc.

#### POSITIONER - Mounted and Piped

3 - 15 psi instrument air standard. If other signal range is required, please specify.

#### ADJUSTABLE TRAVEL STOPS

Mechanically limit travel of actuator.

#### SPECIAL COATING

For corrosion resistance. Specify requirements.

#### AIR PREPARATION ACCESSORIES

Furnished loose, but can be mounted and piped if specified.

##### AIR REGULATOR

Adjusts air pressure leading to actuator.

##### AIR FILTER

Assures clean air for actuator.

##### AIR LUBRICATOR

Provides oil mist for internal lubrication of actuator.

##### AIR SPEED CONTROL

Controls air to actuator to adjust speed of actuation.

#### HANDLE FOR MANUAL OPERATION

Available for double-acting configuration. Do not operate manually with air pressure on actuator. (Lever type handles *not recommended* for operating spring return actuators.)

#### HIGH TEMPERATURE PREPARATION

Special seals, heat shields, extended brackets, etc.

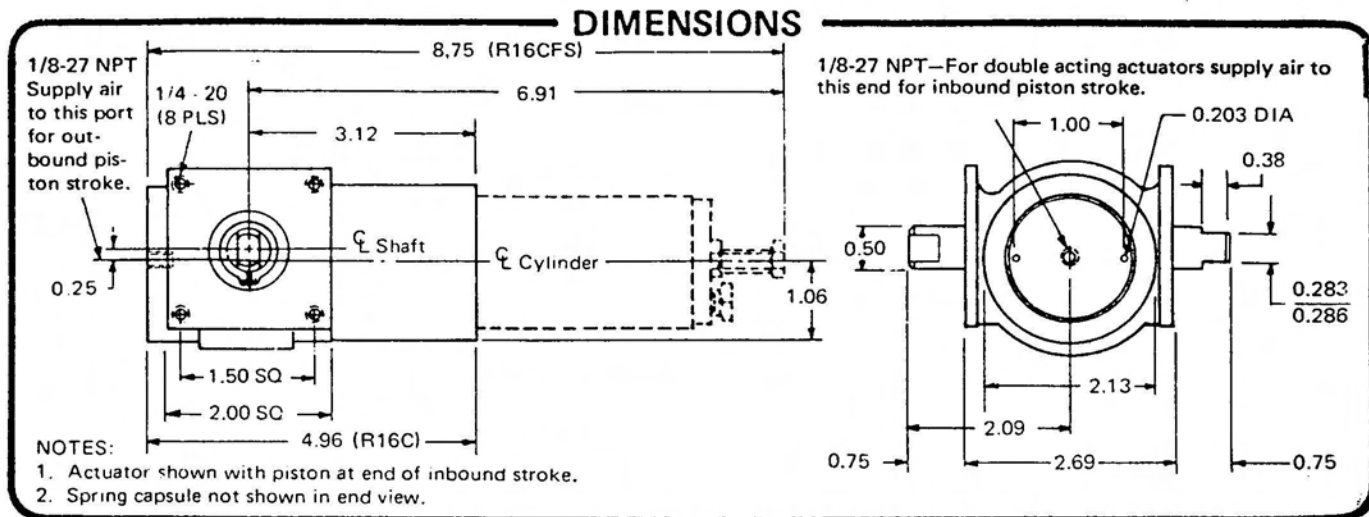
#### SYSTEM MODULES

Can be quoted upon receipt of complete specifications.

\*Patented and patents applied for.

# ROTARY PNEUMATIC/HYDRAULIC ACTUATOR

## MODELS R16C and R16CFS



### TECHNICAL DATA

BORE .....	1.75 in.
STROKE .....	1.37 in.
NO. OF PISTONS .....	1
MAXIMUM WORKING PRESSURE	
Pneumatic .....	125 psi
Hydraulic .....	125 psi

CYLINDER VOLUME	
Double Acting	
inner .....	6 Cu. In.
outer .....	3.3 Cu. In.
Fail Safe .....	6 Cu. In.
OUTPUT DRIVE TRAVEL .....	90°
WEIGHT	
Double Acting .....	3½ Lbs.
Fail Safe .....	4½ Lbs.

### DOUBLE ACTING ACTUATOR (R16C) OUTPUT TORQUES

TORQUE lb-in.	OPERATING PRESSURE*								
	40 PSI	50 PSI	60 PSI	70 PSI	80 PSI	90 PSI	100 PSI	110 PSI	120 PSI
BREAK	70	95	120	145	175	200	225	250	280
RUNNING	40	55	70	85	95	110	120	140	150

\*Available air pressure must be specified

### FAIL SAFE ACTUATOR (R16CFS) OUTPUT TORQUES

TORQUE lb-in.	OPERATING PRESSURE*		
	60 PSI	80 PSI	100 PSI
BREAK-AIR	75	105	135
FINISH-AIR	50	60	90
BREAK-SPRING	75	120	145
FINISH-SPRING	35	50	70

\*Available air pressure must be specified

**RECOMMENDED SPARE PARTS:** One complete set of O-rings, and one set of retaining keys.



Quality Controls, Inc.

1-603-286-3321

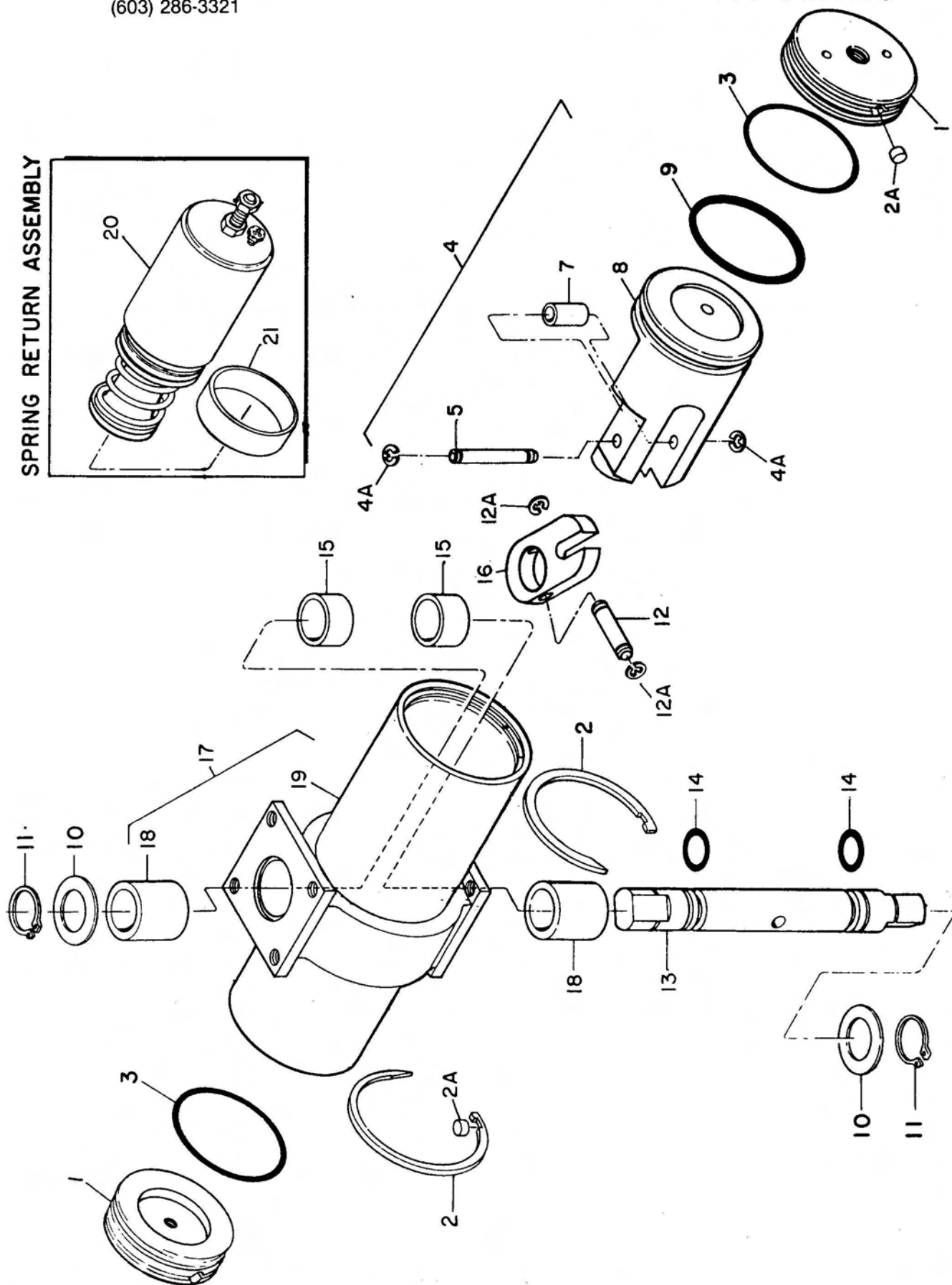
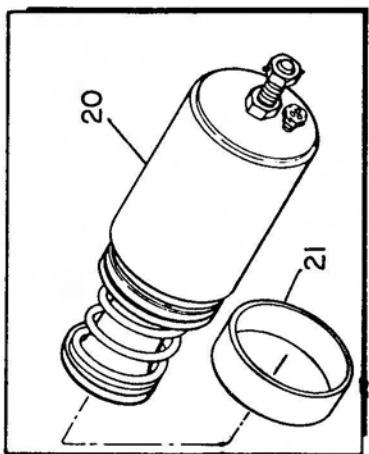
Quality Controls, Inc.

(603) 286-3321

# ROTARY PNEUMATIC ACTUATOR

MODEL R16C and R16CFS

SPRING RETURN ASSEMBLY



**PARTS LIST****MODEL R16C and R16CFS**

INDEX NO.	PART NUMBER	DESCRIPTION	QTY	U/O CODE
REF.	R16C	ACTUATOR, Pneumatic, rotary . . . . .	REF.	A
REF.	R16CFS	ACTUATOR, Pneumatic, rotary (Fail Safe) . . . . .	REF.	B
1	409-1004	. CAP, End (see note 1) . . . . .	2	
2	409-2903	. KEY, Retaining (AP) . . . . .	2	
2A	400-2901	. SLUG, Key retainer . . . . .	2	
3	952-0030-410	. O-RING, End cap (see note 2) . . . . .	2	
4	4090-3201	. PISTON AND ROLLER ASSEMBLY . . . . .	1	
4A	959-2202-000	. RING, Retaining (AP) . . . . .	2	
5	409-2502	. PIN, Straight, headless . . . . .	1	
7	409-2401	. BEARING, Sleeve . . . . .	1	
8	409-3201	. PISTON . . . . .	1	
9	952-0222-1A0	. O-RING, Piston (see note 2) . . . . .	1	
10	171-2402	. WASHER, Thrust . . . . .	2	
11	959-2401-000	. RING, Retaining (AP) . . . . .	2	
12	409-2501	. PIN, Straight, headless . . . . .	1	
12A	959-2202-000	. RING, Retaining (AP) . . . . .	2	
13	409-2101	. SHAFT, Output . . . . .	1	
14	952-0012-430	. O-RING, Output shaft . . . . .	2	
15	409-2402	. BEARING, Sleeve . . . . .	2	
16	409-4101	. YOKE . . . . .	1	
17	4091-3301	. CYLINDER BODY & STEM BEARING ASSEMBLY . . . . .	1	
18	409-2201	. BEARING, Sleeve . . . . .	2	
19	409-3304	. CYLINDER, Body . . . . .	1	
20	4090-7502	. SPRING RETURN ASSEMBLY (60 psi) (See Warning Note) . . . . .	1	B
20	4090-7503	. SPRING RETURN ASSEMBLY (80 psi) (See Warning Note) . . . . .	1	B
20	4090-7504	. SPRING RETURN ASSEMBLY (100 psi) (See Warning Note) . . . . .	1	B
21	400-1405-005	. WEATHER GUARD . . . . .	1	B

**WARNING**

The spring is factory assembled into a locked capsule. This provides for simple and safe removal of the spring return assembly during maintenance. Do not attempt to disassemble the spring return assembly. This unit is spring loaded under high spring pressure.

Note 1. Only one used on Model R16CFS

Note 2. Optional O-rings  
 952-0030-430 - VITON O-RING, End cap  
 952-0222-430 - VITON O-RING, Piston

(AP) - Attaching Parts

U/O - "Used on" code



Quality Controls, Inc.

1-603-286-3321

PRINTED IN USA