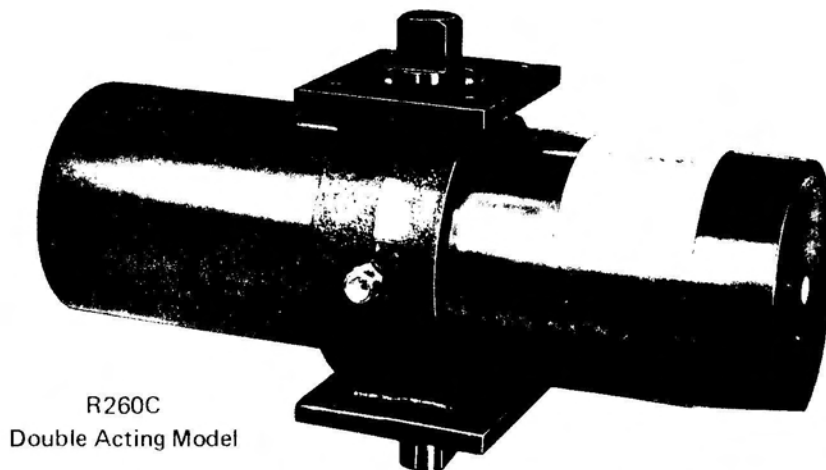


QUALITY CONTROLS, INC.

1-603-286-3321

ROTARY PNEUMATIC/HYDRAULIC ACTUATOR Models R260C* and R260CFS*



R260C
Double Acting Model

FEATURES AND SPECIFICATIONS

DOUBLE SCOTCH YOKE DRIVE ACTION

Double scotch yoke provides for single or double piston drive with maximum starting torque transmission to actuator drive shaft.

RETAINER KEY FASTENER

The end cap is fastened to the actuator body by a retainer key. A matched groove around the end cap and the actuator body accepts the retainer key which provides full 360° contact for positive lock. The same retainer key is used to replace the end cap with a spring capsule for conversion to Fail Safe actuation without removing the actuator from the line.

FAIL SAFE SPRING CAPSULE

The spring is factory assembled into a locked capsule for safe, simple installation and removal. Special O-ring seal prevents internal corrosion due to moisture and other contaminants. When ordered with a solenoid valve, actuator will be piped with a spring loaded check valve and breather cap for system exhaust.

DOUBLE MOUNTING PAD

Square top and bottom pads are identical. Bottom pad provides for multi-position, rugged attachment to mounting bracket. Top pad provides versatile mounting of auxiliary items such as limit switches, positioners, etc.

STEM LOCATION IS CENTERBORE OF PISTON

Provides for unlimited mounting positions. Actuator can be installed parallel to pipe line or at 90° position.

MANUAL OVERRIDE

Actuator drive shaft extends from top of actuator providing for emergency manual operation.

WEATHER GUARD

Standard on fail safe models for protection against rain and snow entering the fail safe capsule.

OPTIONAL EQUIPMENT

SOLENOID VALVES - Mounted and Piped

Specify enclosure - NEMA I, III, IV, VII, etc.

AIR PILOT VALVES - Mounted and Piped

Air control in lieu of solenoids.

LIMIT SWITCHES - Mounted

For open/close position indication. Specify type - NEMA I, III, IV, VII, etc.

POSITIONER - Mounted and Piped

3 - 15 psi instrument air standard. If other signal range is required, please specify.

ADJUSTABLE TRAVEL STOPS

Mechanically limit travel of actuator.

SPECIAL COATING

For corrosion resistance. Specify requirements.

AIR PREPARATION ACCESSORIES

Furnished loose, but can be mounted and piped if specified.

AIR REGULATOR

Adjusts air pressure leading to actuator.

AIR FILTER

Assures clean air for actuator.

AIR LUBRICATOR

Provides oil mist for internal lubrication of actuator.

AIR SPEED CONTROL

Controls air to actuator to adjust speed of actuation.

DECLUTCHABLE GEARBOX FOR MANUAL OPERATION

HIGH TEMPERATURE PREPARATION

Special seals, heat shields, extended brackets, etc.

SYSTEM MODULES

Can be quoted upon receipt of complete specifications.

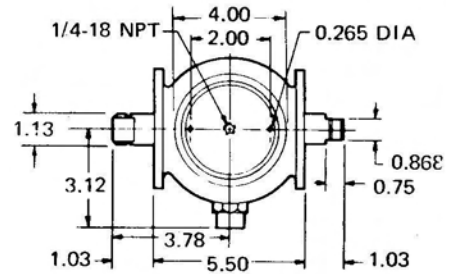
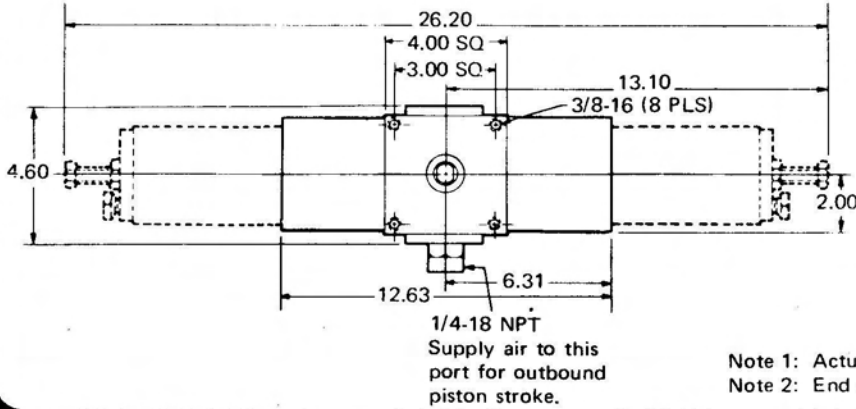
*Patented and patents applied for.

ROTARY PNEUMATIC/HYDRAULIC ACTUATOR

MODELS R260C and R260CFS

DIMENSIONS

For double acting actuators manifold air to both ends for inbound piston stroke.



Note 1: Actuator shown with piston at end of inbound stroke.
Note 2: End view shows end cap dimensions.

TECHNICAL DATA

BORE	3.52 In.	CYLINDER VOLUME	
		Double Acting	
STROKE	2.36 In.	inner	76 Cu. In.
		outer	46 Cu. In.
NO. OF PISTONS	2	Fail Safe	76 Cu. In.
		OUTPUT DRIVE TRAVEL	90°
MAXIMUM WORKING PRESSURE		WEIGHT	
Pneumatic	125 psi	Double Acting	31 Lbs.
Hydraulic	125 psi	Fail Safe	47 Lbs.

DOUBLE ACTING ACTUATOR (R260C) OUTPUT TORQUES

TORQUE lb-in.	OPERATING PRESSURE*								
	40 PSI	50 PSI	60 PSI	70 PSI	80 PSI	90 PSI	100 PSI	110 PSI	120 PSI
BREAK	1303	1700	2097	2496	2895	3290	3685	4082	4479
RUNNING	665	863	1060	1248	1435	1623	1810	2001	2192

*Available air pressure must be specified

FAIL SAFE ACTUATOR (R260CFS) OUTPUT TORQUES

TORQUE lb-in.	OPERATING PRESSURE*				
	40 PSI	60 PSI	70 PSI	80 PSI	100 PSI
BREAK-AIR	770	1190	1360	1650	2070
FINISH-AIR	400	630	745	890	1050
BREAK-SPRING	740	1250	1390	1730	2320
FINISH-SPRING	320	580	675	810	1150

*Available air pressure must be specified

RECOMMENDED SPARE PARTS: One complete set of O-rings, and one set of retaining keys.



Quality Controls, Inc.

1-603-286-3321

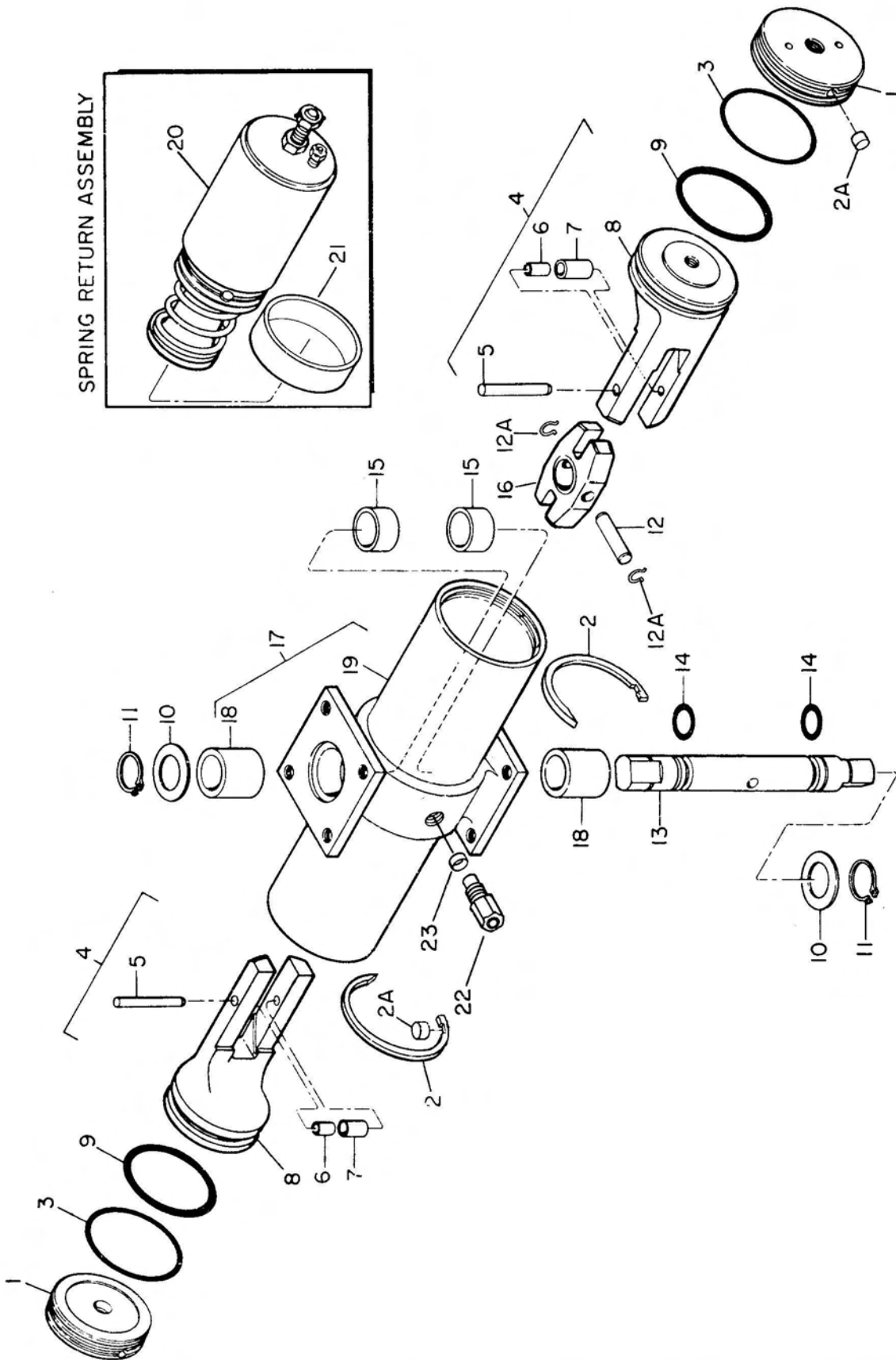
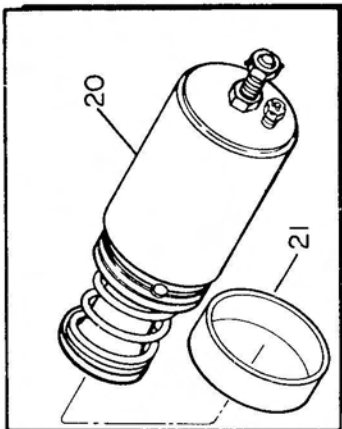


Quality Controls, Inc.

1-603-286-3321

MODEL R260C and R260CFS

SPRING RETURN ASSEMBLY



PARTS LIST**MODEL R260C and R260CFS**

INDEX NO.	PART NUMBER	DESCRIPTION	QTY	U/O CODE
REF.	R260C	ACTUATOR, Pneumatic, rotary	REF.	A
REF.	R260CFS	ACTUATOR, Pneumatic, rotary (Fail Safe).	REF.	B
1	430-1017	. CAP, End (see note 1)	2	
2	430-2904	. KEY, Retaining (AP)	2	
2A	400-2901	. SLUG, Key retainer	2	
3	952-0152-410	. O-RING, End cap (see note 2)	2	
4	4300-3201	. PISTON AND ROLLER ASSEMBLY	2	
5	430-2501	. PIN, Straight, headless	1	
6	430-2401	. SPACER, Sleeve	1	
7	430-2203	. BEARING, Sleeve	1	
8	430-3203	. PISTON	1	
9	952-0338-1A0	. O-RING, Piston (see note 2)	2	
10	191-2413	. WASHER, Thrust	2	
11	959-2703-000	. RING, Retaining (AP)	2	
12	430-2502	. PIN, Straight, headless	1	
12A	959-2302-000	. RING, Retaining (AP)	2	
13	430-2101	. SHAFT, Output	1	
14	952-0212-430	. O-RING, Output shaft	2	
15	430-2201	. BEARING, Sleeve	2	
16	430-4102	. YOKE	1	
17	4302-3303	. CYLINDER BODY & STEM BEARING ASSEMBLY	1	
18	430-2202	. BEARING, Sleeve	2	
19	430-3324	. CYLINDER, Body	1	
20	4300-7501	. SPRING RETURN ASSEMBLY (40 psi) (See Warning Note)	2	B
20	4300-7502	. SPRING RETURN ASSEMBLY (60 psi) (See Warning Note)	2	B
20	4300-7509	. SPRING RETURN ASSEMBLY (70 psi) (See Warning Note)	2	B
20	4300-7503	. SPRING RETURN ASSEMBLY (80 psi) (See Warning Note)	2	B
20	4300-7504	. SPRING RETURN ASSEMBLY (100 psi) (See Warning Note)	2	B
21	400-1405-002	. WEATHER GUARD	2	B
22	971-2248-02P	. AIR FITTING	1	
23	971-2251-000	. FLARE GASKET	1	

WARNING

The spring is factory assembled into a locked capsule. This provides for simple and safe removal of the spring return assembly during maintenance. Do not attempt to disassemble the spring return assembly. This unit is spring loaded under high spring pressure.

Note 1. Not used on Model R260CFS

Note 2. Optional O-rings
 952-0152-430 - VITON O-RING, End cap
 952-0338-430 - VITON O-RING, Piston

(AP) - Attaching Parts

U/O - "Used on" code



Quality Controls, Inc.

1-603-286-3321

PRINTED IN USA