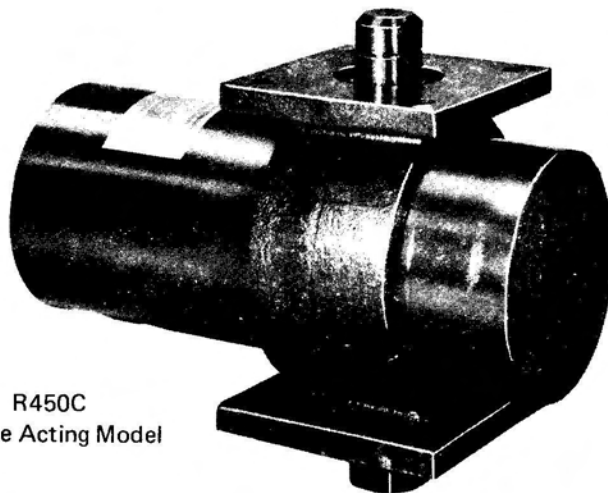




QUALITY CONTROLS, INC.

1-603-286-3321

ROTARY PNEUMATIC/HYDRAULIC ACTUATOR
Models R450C* and R450CFS*



R450C
Double Acting Model

FEATURES AND SPECIFICATIONS

DOUBLE SCOTCH YOKE DRIVE ACTION

Double scotch yoke provides for single or double piston drive with maximum starting torque transmission to actuator drive shaft.

RETAINER KEY FASTENER

The end cap is fastened to the actuator body by a retainer key. A matched groove around the end cap and the actuator body accepts the retainer key which provides full 360° contact for positive lock. The same retainer key is used to replace the end cap with a spring capsule for conversion to Fail Safe actuation without removing the actuator from the line.

FAIL SAFE SPRING CAPSULE

The spring is factory assembled into a locked capsule for safe, simple installation and removal. Special O-ring seal prevents internal corrosion due to moisture and other contaminants. When ordered with a solenoid valve, actuator will be piped with a spring loaded check valve and breather cap for system exhaust.

DOUBLE MOUNTING PAD

Square top and bottom pads are identical. Bottom pad provides for multi-position, rugged attachment to mounting bracket. Top pad provides versatile mounting of auxiliary items such as limit switches, positioners, etc.

STEM LOCATION IS CENTERBORE OF PISTON

Provides for unlimited mounting positions. Actuator can be installed parallel to pipe line or at 90° position.

MANUAL OVERRIDE

Actuator drive shaft extends from top of actuator providing for emergency manual operation.

WEATHER GUARD

Standard on fail safe models for protection against rain and snow entering the fail safe capsule.

OPTIONAL EQUIPMENT

SOLENOID VALVES - Mounted and Piped

Specify enclosure - NEMA I, III, IV, VII, etc.

AIR PILOT VALVES - Mounted and Piped

Air control in lieu of solenoids.

LIMIT SWITCHES - Mounted

For open/close position indication. Specify type - NEMA I, III, IV, VII, etc.

POSITIONER - Mounted and Piped

3 - 15 psi instrument air standard. If other signal range is required, please specify.

ADJUSTABLE TRAVEL STOPS

Mechanically limit travel of actuator.

SPECIAL COATING

For corrosion resistance. Specify requirements.

AIR PREPARATION ACCESSORIES

Furnished loose, but can be mounted and piped if specified.

AIR REGULATOR

Adjusts air pressure leading to actuator.

AIR FILTER

Assures clean air for actuator.

AIR LUBRICATOR

Provides oil mist for internal lubrication of actuator.

AIR SPEED CONTROL

Controls air to actuator to adjust speed of actuation.

DECLUTCHABLE GEARBOX FOR MANUAL OPERATION

HIGH TEMPERATURE PREPARATION

Special seals, heat shields, extended brackets, etc.

SYSTEM MODULES

Can be quoted upon receipt of complete specifications.

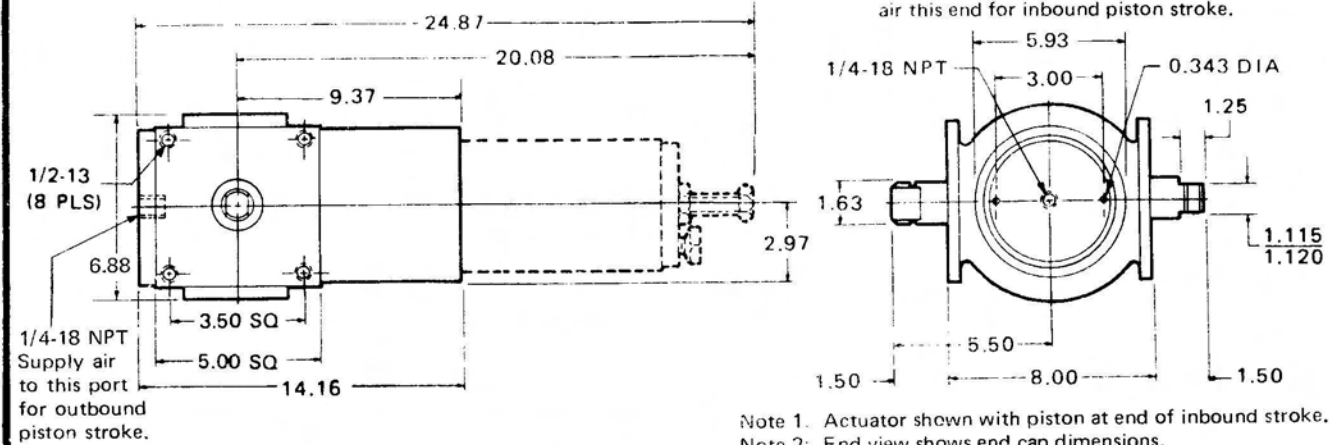
*Patented and patents applied for.



ROTARY PNEUMATIC/HYDRAULIC ACTUATOR

MODELS R450C and R450CFS

DIMENSIONS



TECHNICAL DATA

BORE	5.28 In.	CYLINDER VOLUME	
		Double Acting	
STROKE	3.58 In.	inner	206 Cu. In.
		outer	78 Cu. In.
NO. OF PISTONS	1	Fail Safe	206 Cu. In.
		OUTPUT DRIVE TRAVEL	90°
MAXIMUM WORKING PRESSURE		WEIGHT	
Pneumatic	125 psi	Double Acting	71 Lbs.
Hydraulic	125 psi	Fail Safe	104 Lbs.

DOUBLE ACTING ACTUATOR (R450C) OUTPUT TORQUES

TORQUE lb-in.	OPERATING PRESSURE*								
	40 PSI	50 PSI	60 PSI	70 PSI	80 PSI	90 PSI	100 PSI	110 PSI	120 PSI
BREAK	2300	2963	3625	4280	4935	5548	6160	6803	7446
RUNNING	1145	1463	1780	2095	2410	2695	2980	3285	3590

* Available air pressure must be specified

FAIL SAFE ACTUATOR (R450CFS) OUTPUT TORQUES

TORQUE lb-in.	OPERATING PRESSURE*				
	40 PSI	60 PSI	70 PSI	80 PSI	100 PSI
BREAK-AIR	1240	1920	2280	2770	3550
FINISH-AIR	660	1020	1205	1500	1920
BREAK-SPRING	1450	2310	2480	3090	3900
FINISH-SPRING	685	1100	1250	1480	1850

* Available air pressure must be specified

RECOMMENDED SPARE PARTS: One complete set of O rings, and one set of retaining keys.



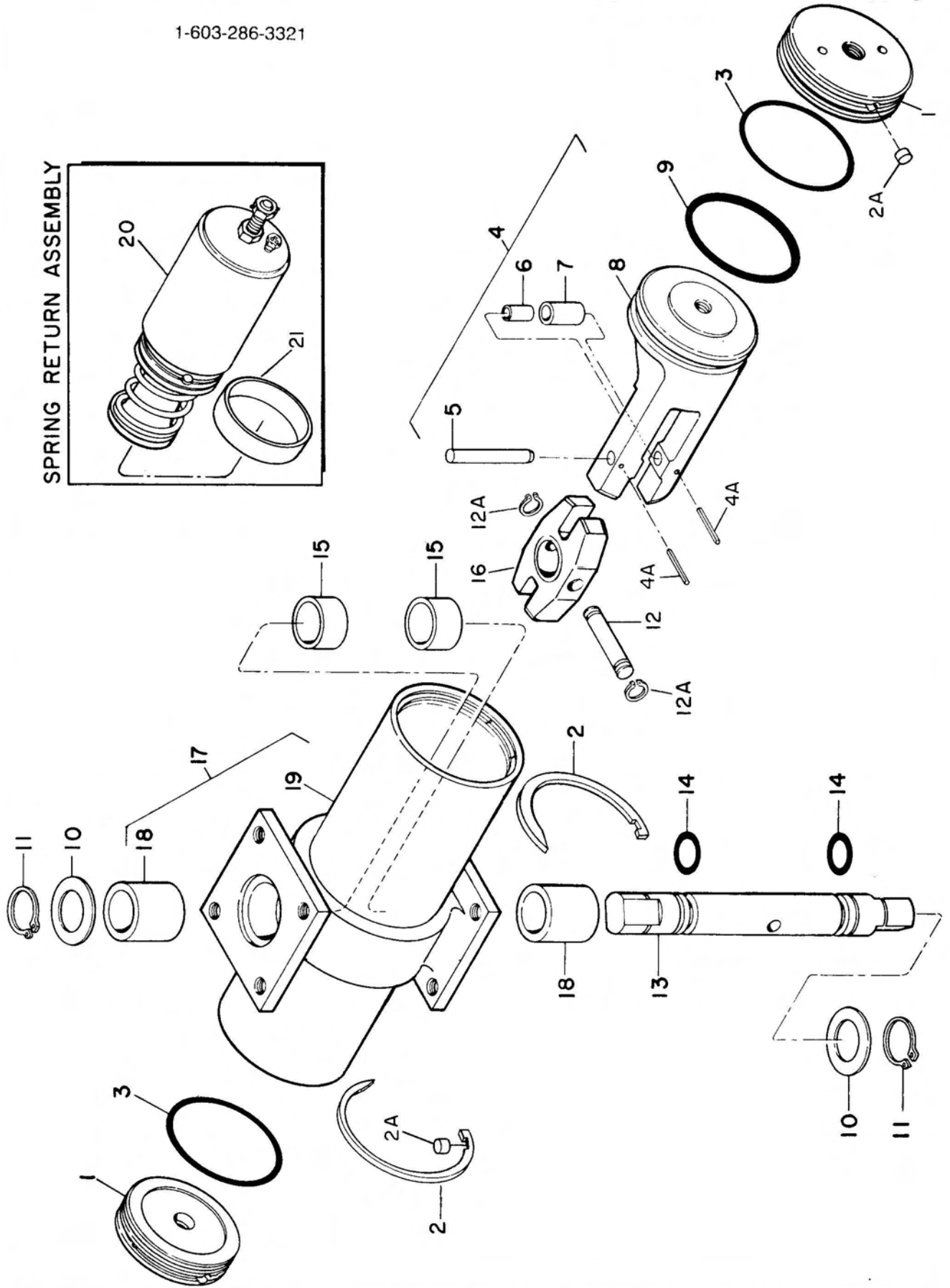
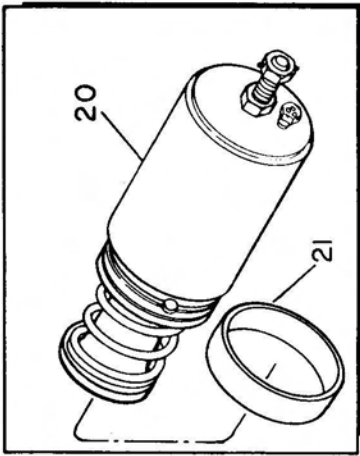
QUALITY CONTROLS, INC.

QUALITY CONTROLS, INC.

ROTARY PNEUMATIC ACTUATOR MODEL R450C and R450CFS

1-603-286-3321

SPRING RETURN ASSEMBLY



PARTS LIST

MODEL R450C and R450CFS

INDEX NO.	PART NUMBER	DESCRIPTION	QTY	U/O CODE
REF.	R450C	ACTUATOR, Pneumatic, rotary	REF.	A
REF.	R450CFS	ACTUATOR, Pneumatic, rotary (Fail Safe).	REF.	B
1	450-1027 CAP, End (see note 1)	2	
2	450-2906 KEY, Retaining (AP)	2	
2A	400-2901 SLUG, Key retainer	2	
3	952-0159-410 O-RING, End cap (see note 2)	2	
4	4500-3201 PISTON AND ROLLER ASSEMBLY	1	
4A	943-2121-11P PIN, Spring	2	
5	450-2501 PIN, Straight, headless	1	
6	450-2401 SPACER, Sleeve	1	
7	450-2203 BEARING, Sleeve	1	
8	450-3203 PISTON	1	
9	952-0427-1A0 O-RING, Piston (see note 2)	1	
10	450-2204 WASHER, Thrust	2	
11	959-2902-000 RING, Retaining (AP)	2	
12	450-2507 PIN, Straight, headless	1	
12A	959-2401-000 RING, Retaining (AP)	2	
13	450-2101 SHAFT, Output	1	
14	952-0220-430 O-RING, Output shaft	2	
15	450-2202 BEARING, Sleeve	2	
16	450-4102 YOKE	1	
17	4501-3304 CYLINDER BODY & STEM BEARING ASSEMBLY	1	
18	450-2201 BEARING, Sleeve	2	
19	450-3327 CYLINDER, Body	1	
20	4500-7501 SPRING RETURN ASSEMBLY (40 psi) (See Warning Note)	1	B
20	4500-7502 SPRING RETURN ASSEMBLY (60 psi) (See Warning Note)	1	B
20	4500-7509 SPRING RETURN ASSEMBLY (70 psi) (See Warning Note)	1	B
20	4500-7503 SPRING RETURN ASSEMBLY (80 psi) (See Warning Note)	1	B
20	4500-7504 SPRING RETURN ASSEMBLY (100 psi) (See Warning Note)	1	B
21	400-1405-003 WEATHER GUARD	1	B

WARNING

The spring is factory assembled into a locked capsule. This provides for simple and safe removal of the spring return assembly during maintenance. Do not attempt to disassemble the spring return assembly. This unit is spring loaded under high spring pressure.

Note 1. Only one used on Model R450CFS

Note 2. Optional O-rings
 952-0159-430 - VITON O-RING, End cap
 952-0427-430 - VITON O-RING, Piston

(AP) - Attaching Parts

U/O - "Used on" code

QUALITY CONTROLS, INC.

1-603-286-3321

PRINTED IN USA